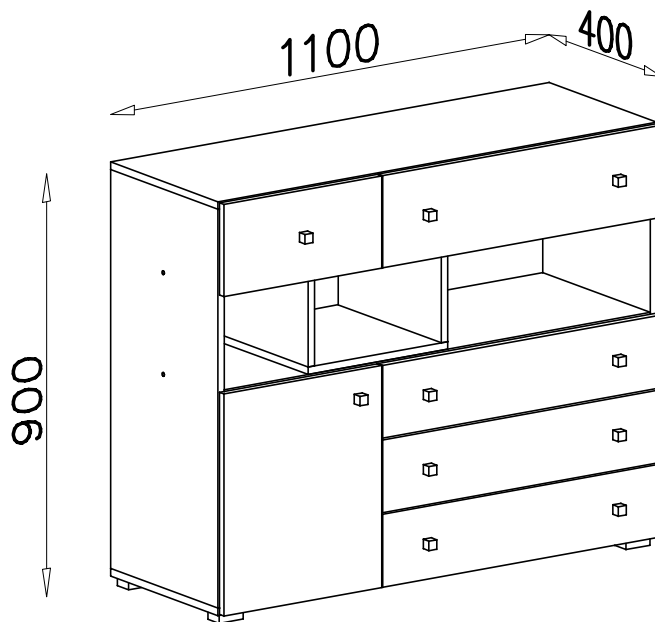
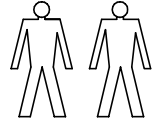
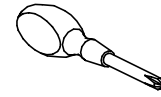
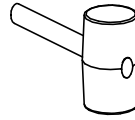
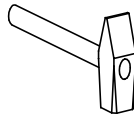
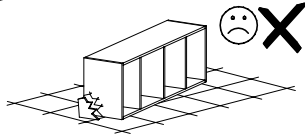
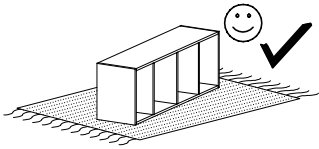
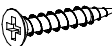



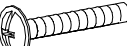


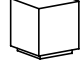

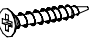
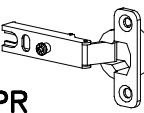


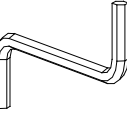
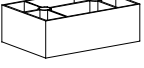

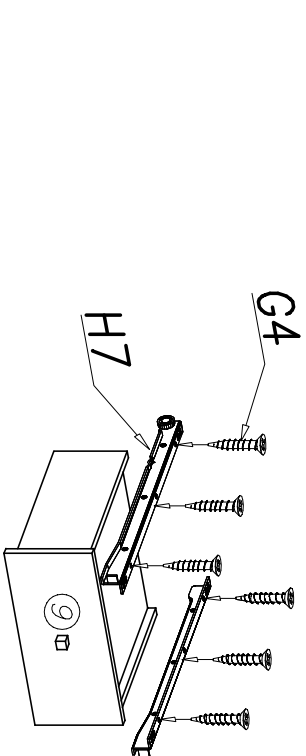
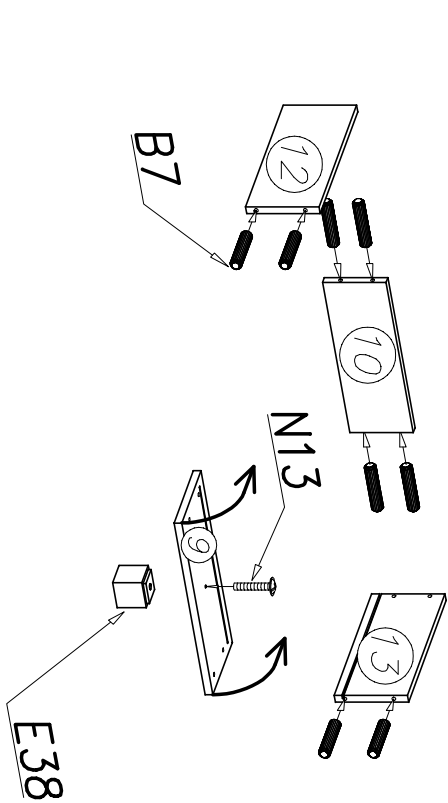


SIGMA SI12

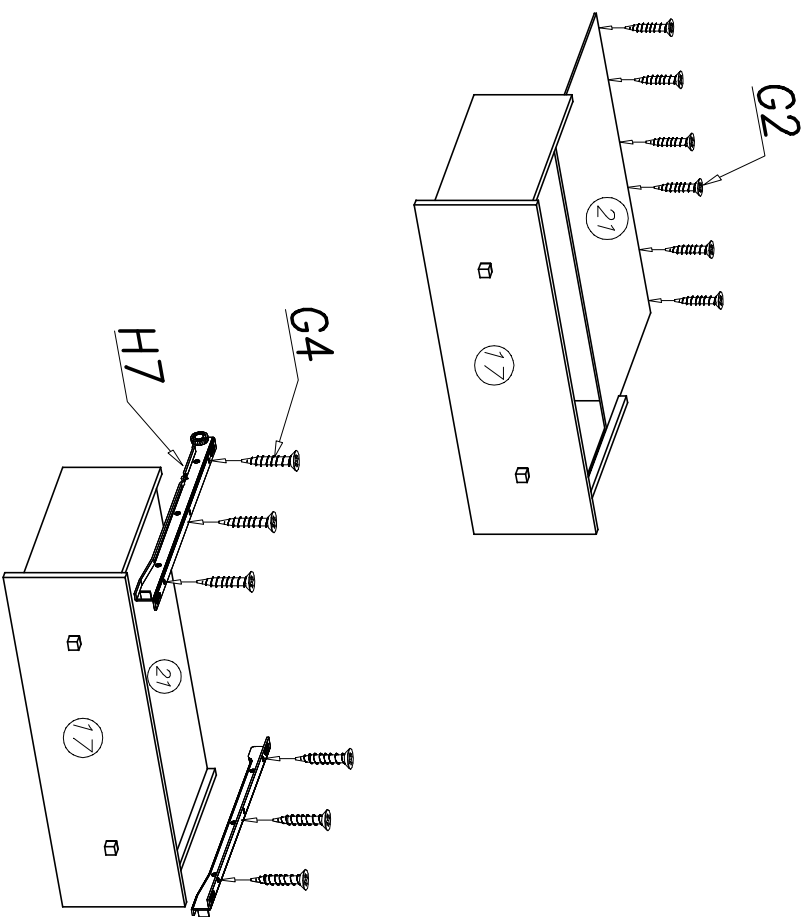
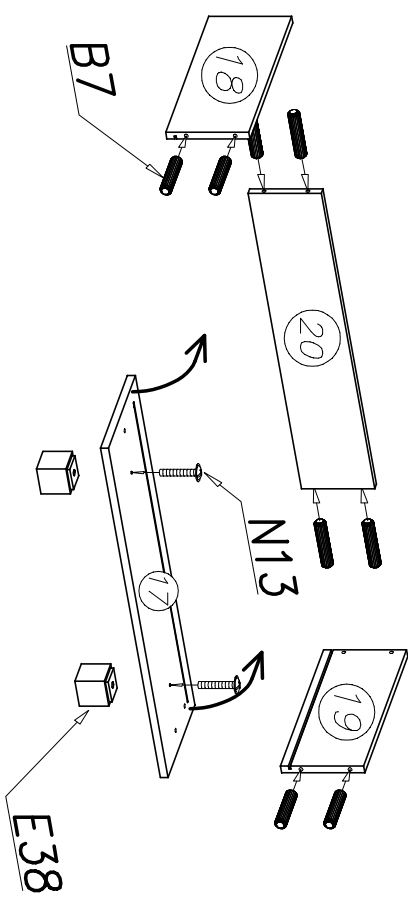


G12  3,5x25 x10	A5  ø7x60 x2				
S2  x8	W1  x4	N13  M4x22 x10	D3  PZ35PR x2	H7  x5	
E38  x10	G4  4x16 x34	G2  3x20 x60	C3  Z35PR x2	350mm x5	
A1  ø7x50 x11	B7  ø8x30 x76	W2  x1	P15  x5	G10  6x13 x20	

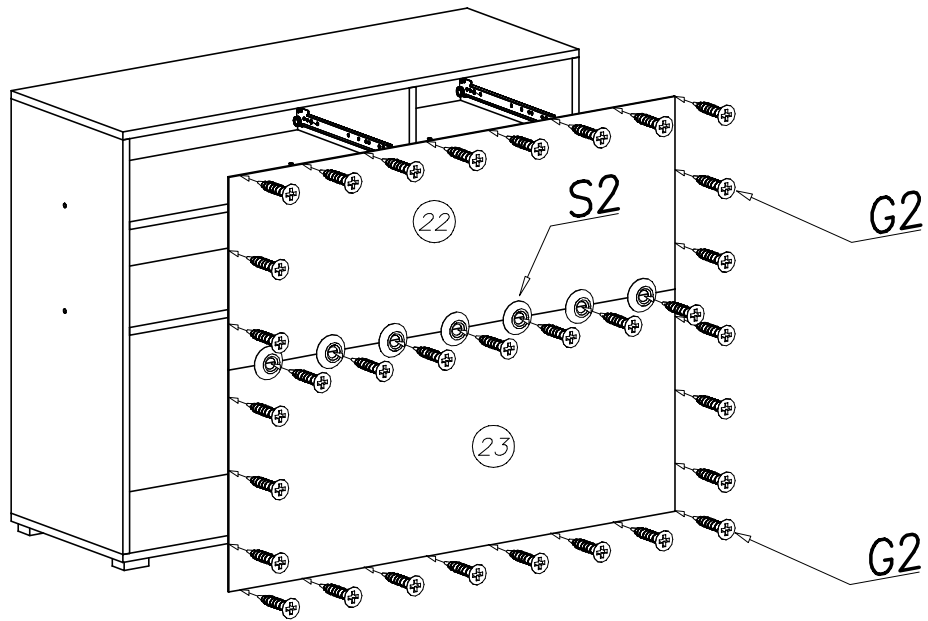
IV



V



VI



VII

